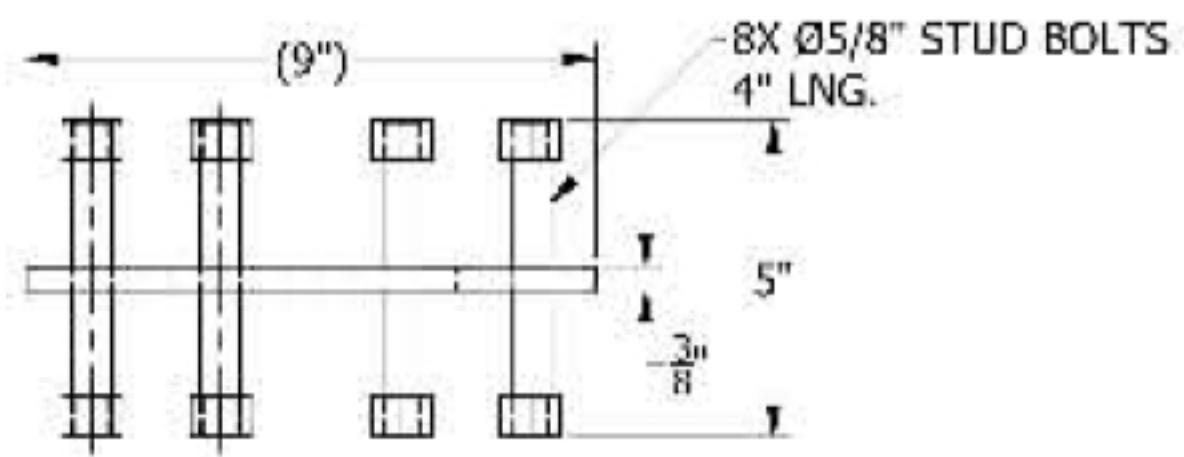
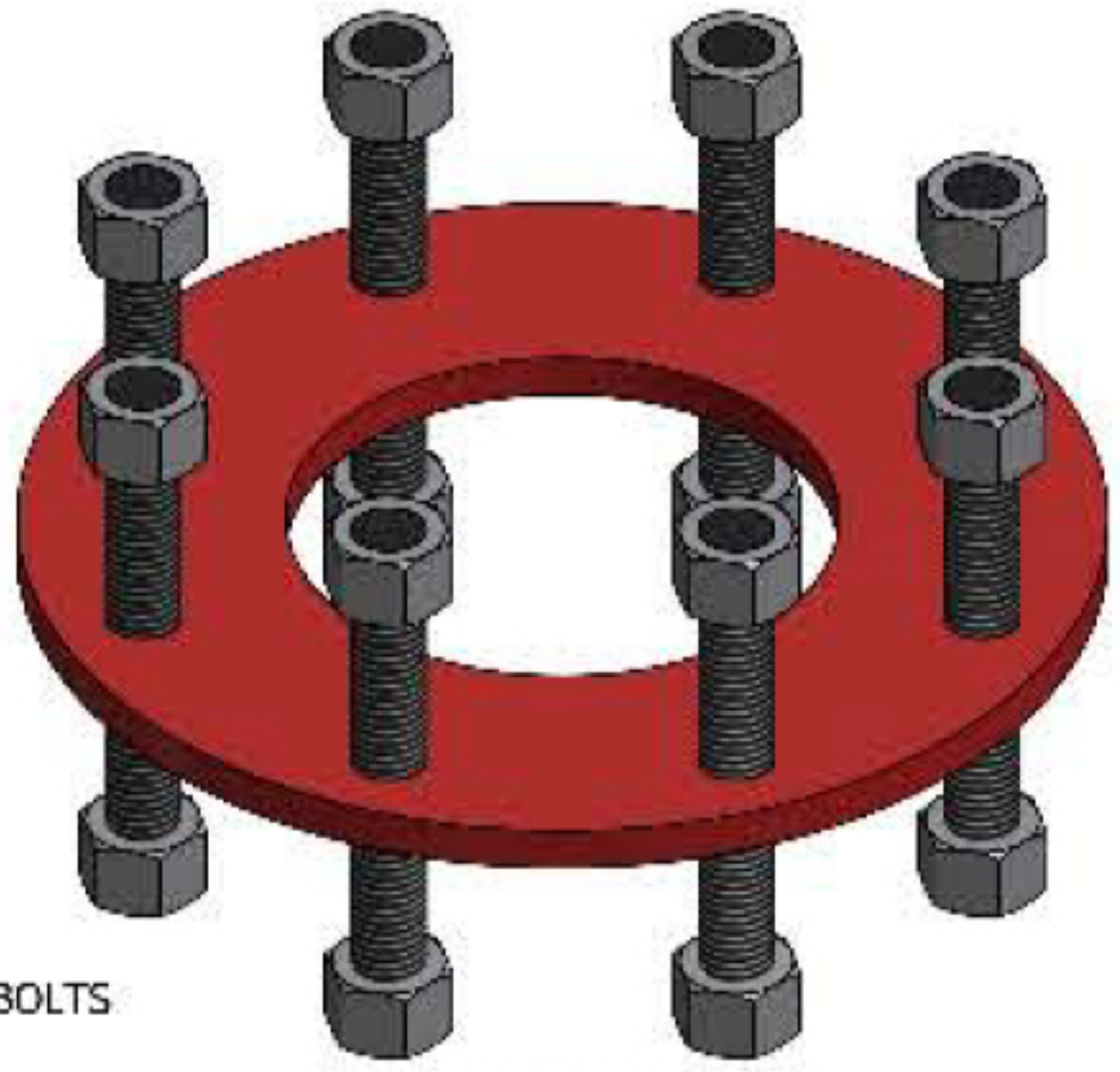
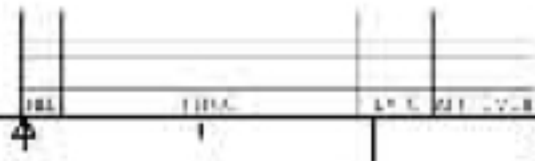


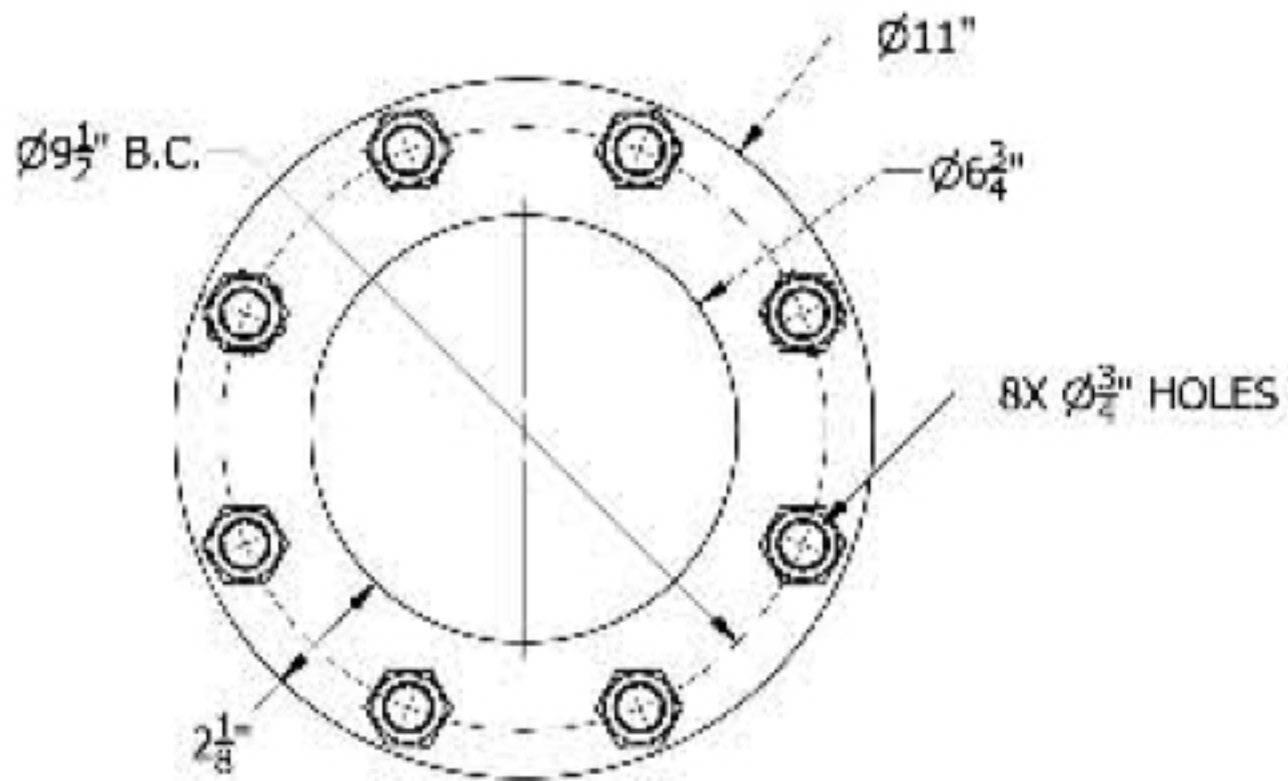
TOP VIEW
SCALE 1/2



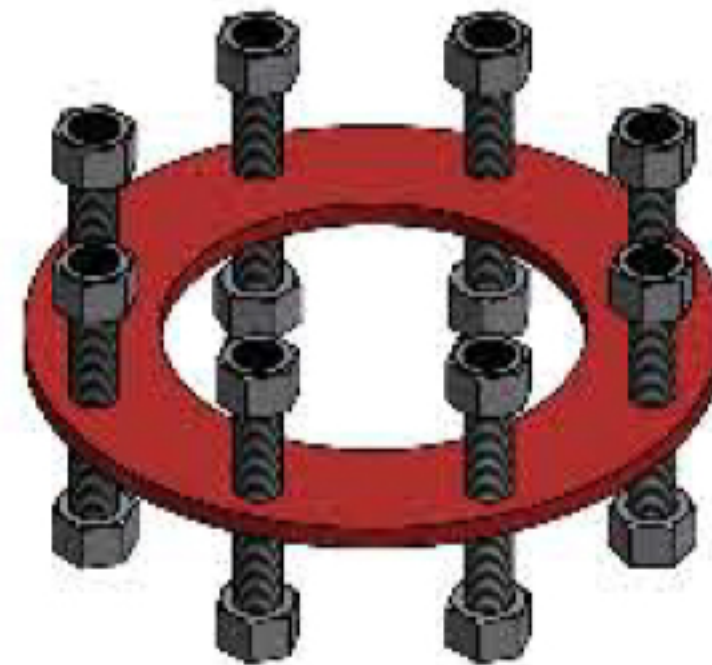
SIDE VIEW
SCALE 1/2

DESIGNED BY DRAWN BY CHECKED BY DATE	 MACTEAM TRADE AND SERVICE CENTER 10000 W. 10th Ave., Suite 100 Denver, CO 80231	PROJECT NO. DRAWING NO. SHEET NO.
ASSEMBLY		
QTY: 1		

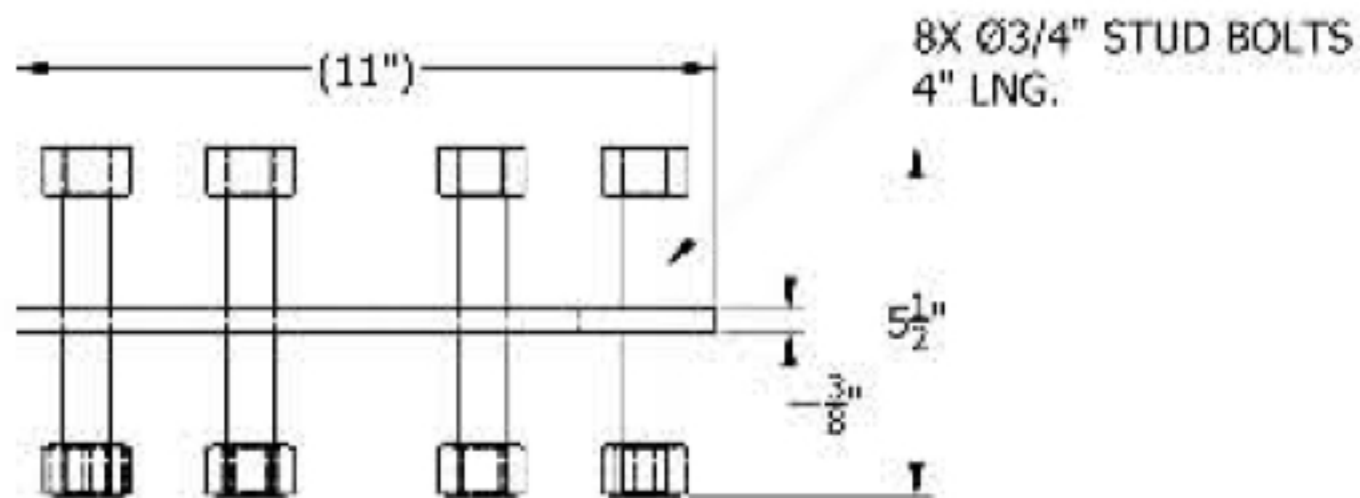




TOP VIEW
SCALE 1/2



ISO VIEW
SCALE 1/2



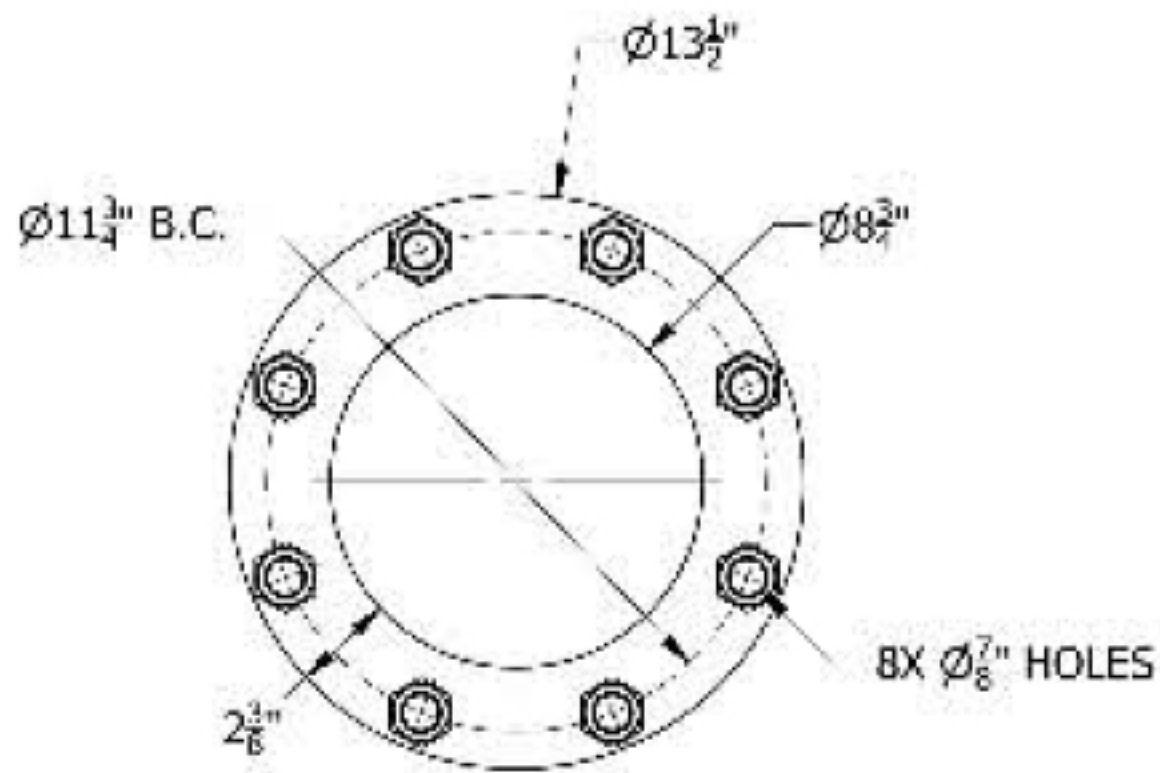
SIDE VIEW
SCALE 1/2

NO.	FILE	DATE	BY

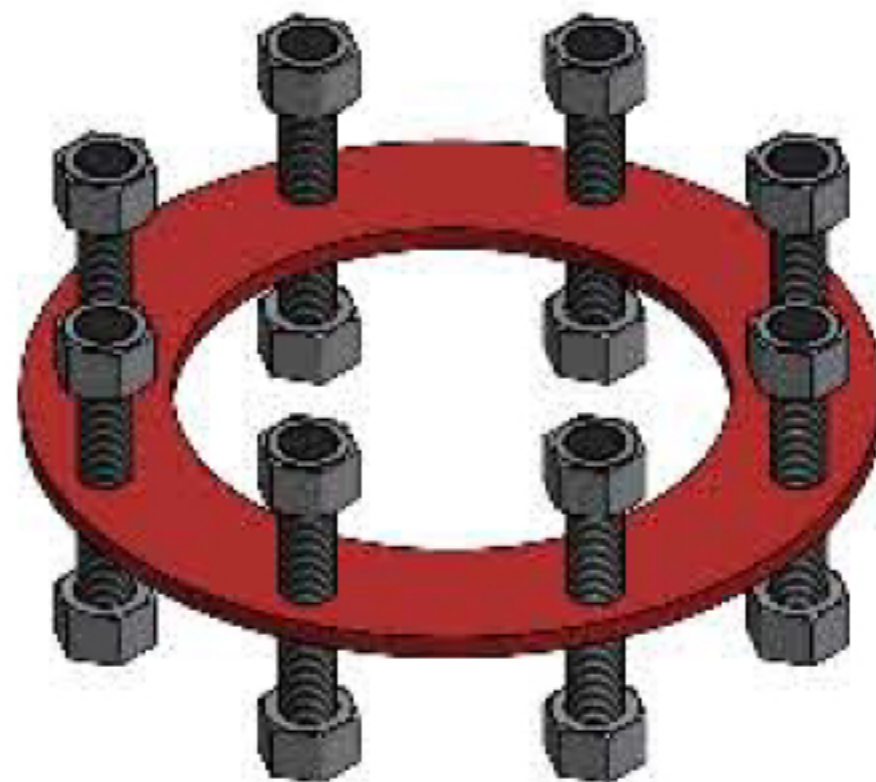
PROJECT NO. 2011-01
 TITLE: FLANGE
 DATE: 07/2011
 DRAWN BY: [Name]
 CHECKED BY: [Name]

ALUMINUM
 THE 21ST CENTURY METAL
 1000 N. 10TH ST.
 ALBUQUERQUE, NM 87102
 TEL: 505.261.1111
 FAX: 505.261.1112
 WWW.ALUMINUM.COM

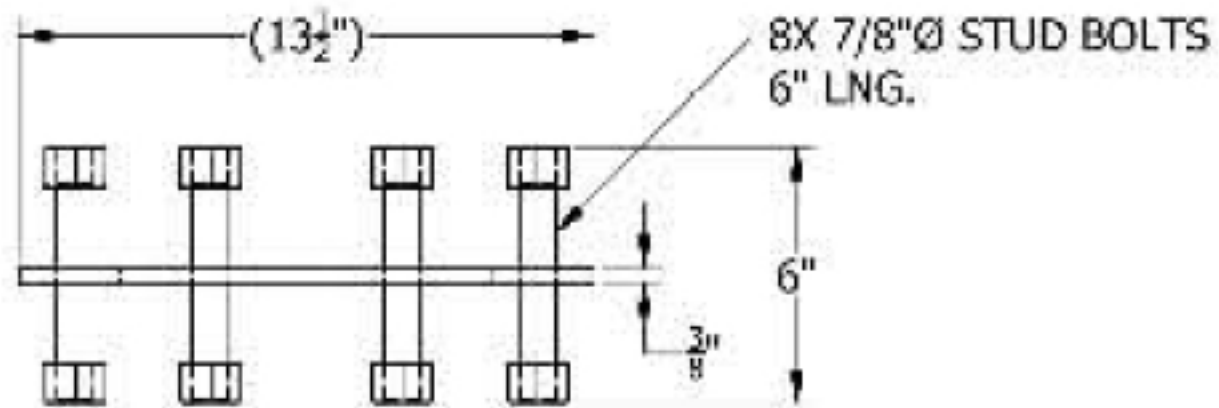
100 N. 10TH ST.
 ALBUQUERQUE, NM 87102
 TEL: 505.261.1111
 FAX: 505.261.1112
 WWW.ALUMINUM.COM



TOP VIEW
SCALE 1/3

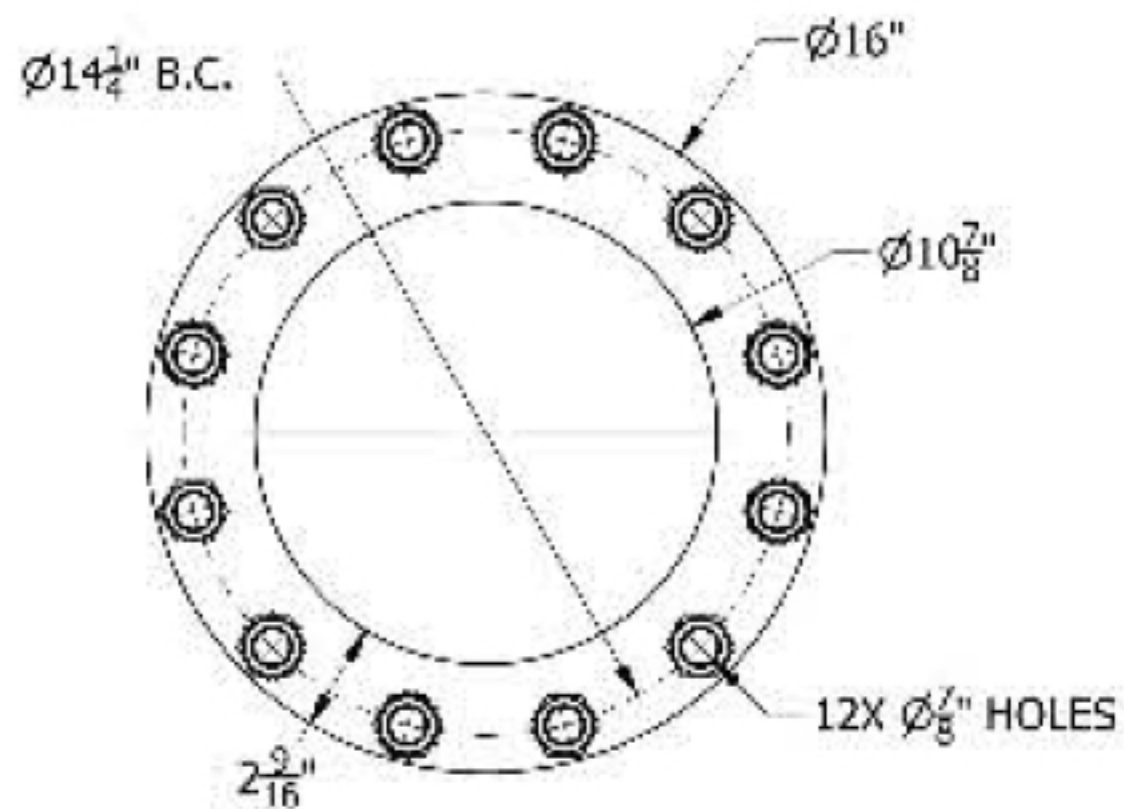


ISD VIEW
SCALE 1/2

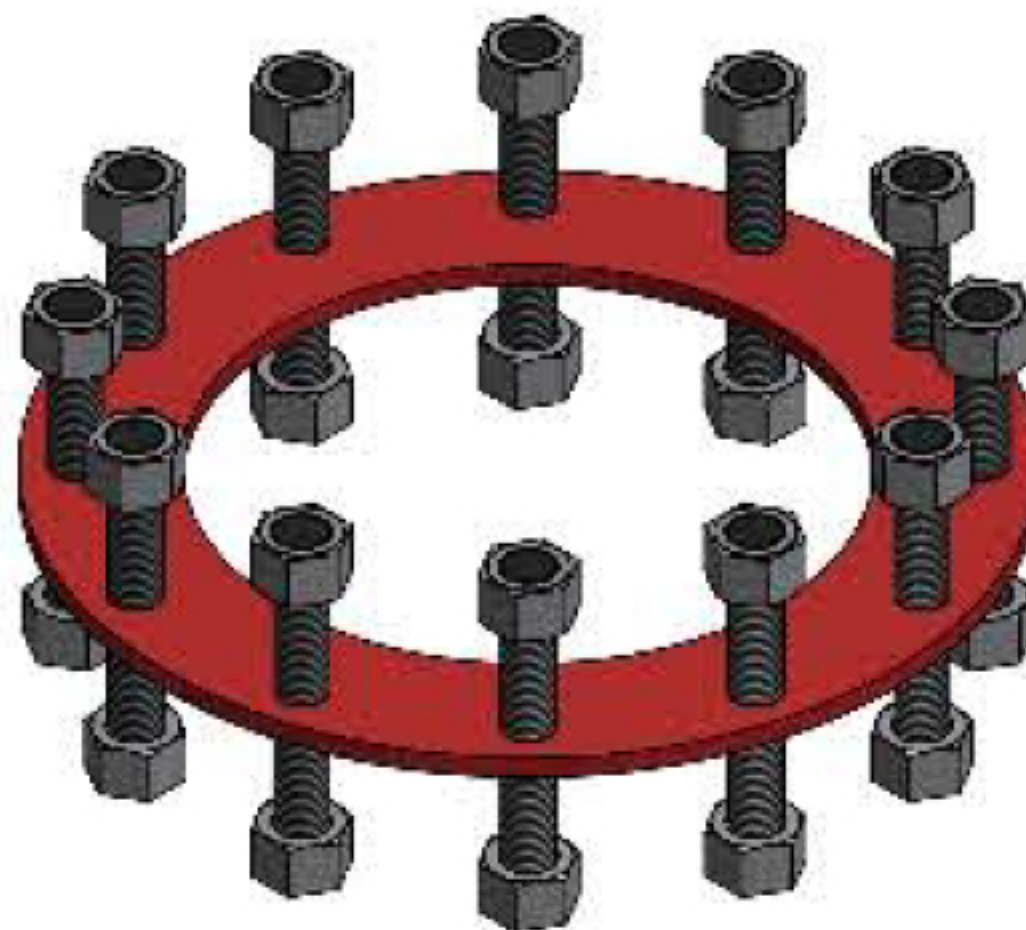


SIDE VIEW
SCALE 1/3

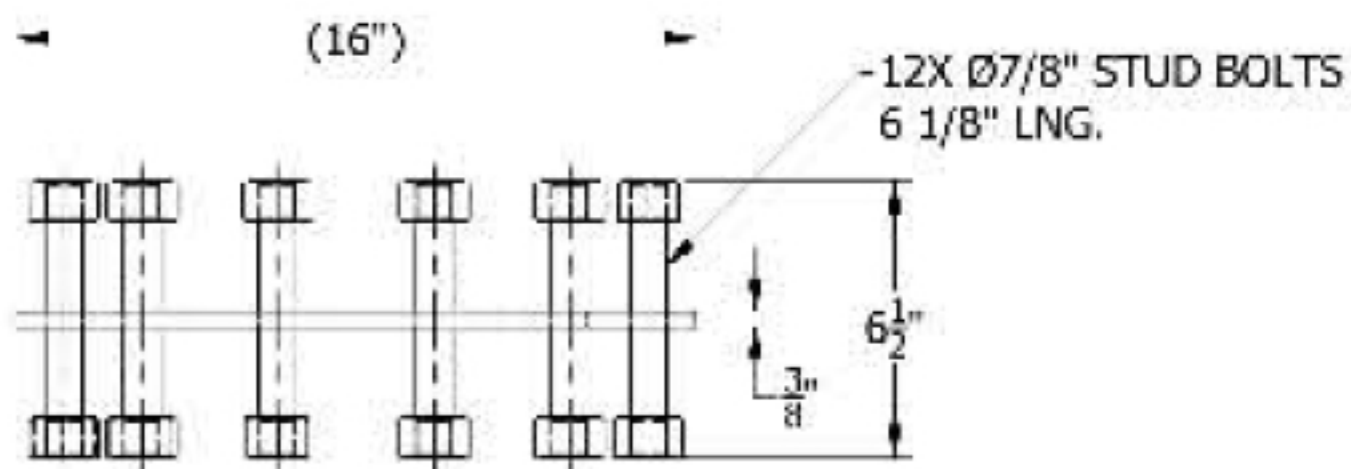
DESIGNED BY: _____ DRAWN BY: _____ CHECKED BY: _____ DATE: _____	 JALANAH ENGINEERING & CONSTRUCTION SERVICES	PROJECT NO.: _____ SHEET NO.: _____
		TITLE: _____ SCALE: _____
ALL DIMENSIONS ARE IN MILLIMETERS UNLESS OTHERWISE SPECIFIED. DIMENSIONS IN PARENTHESES ARE FOR INFORMATION ONLY.	APPROVED BY: _____ DATE: _____	PROJECT NO.: _____ SHEET NO.: _____



TOP VIEW
SCALE 1/3



ISO VIEW
SCALE 1/2



SIDE VIEW
SCALE 1/3

KINGDOM ARMY ENGINEER REGIMENT F. 808 B.C.		DRAWN BY WRTS 10/2014
		1000 N/141
APPROVED BY BRIG. GEN. H. H. H. 10/2014	1000 N/141	1000 N/141